

THE DOOR STORE OF AMERICA, INC

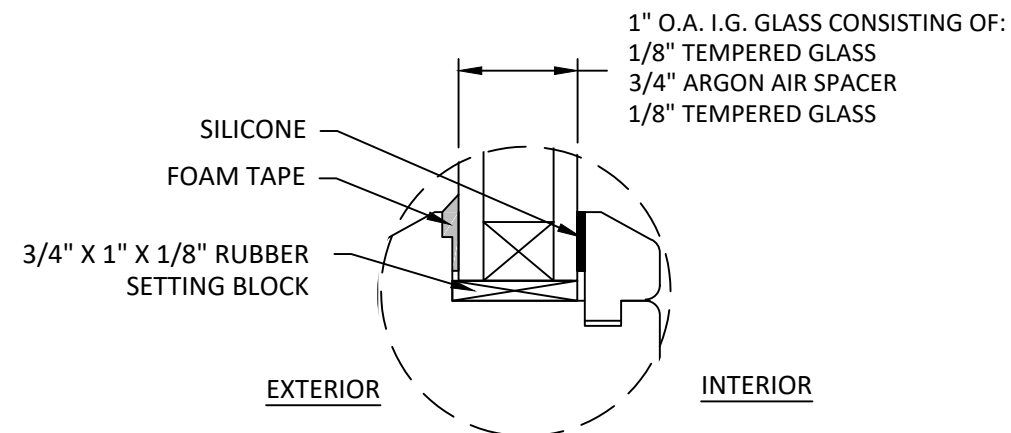
TRU VUE FOLDING DOOR (NON-HVHZ)(NON-IMPACT)



THE DOOR STORE OF AMERICA, INC
10681 WORLD TRADE BOULEVARD
RALEIGH, NC 27617
PH: (919) 781-3200

GENERAL NOTES:

1. THE PRODUCT SHOWN HEREIN IS DESIGNED AND MANUFACTURED TO COMPLY WITH THE CURRENT FLORIDA BUILDING CODE (FBC), **EXCLUDING** HVHZ AND HAS BEEN EVALUATED ACCORDING TO THE FOLLOWING:
 - ASTM E283-04
 - ASTM E330-02
2. ADEQUACY OF THE EXISTING STRUCTURAL CONCRETE/MASONRY, 2X AND METAL STUD FRAMING AS A MAIN WIND FORCE RESISTING SYSTEM CAPABLE OF WITHSTANDING AND TRANSFERRING APPLIED PRODUCT LOADS TO THE FOUNDATION IS THE RESPONSIBILITY OF THE ENGINEER OR ARCHITECT OF RECORD FOR THE PROJECT OF INSTALLATION.
3. 1X AND 2X BUCKS (WHEN USED) SHALL BE DESIGNED AND ANCHORED TO PROPERLY TRANSFER ALL LOADS TO THE STRUCTURE. BUCK DESIGN AND INSTALLATION IS THE RESPONSIBILITY OF THE ENGINEER OR ARCHITECT OF RECORD FOR THE PROJECT OF INSTALLATION.
4. THE INSTALLATION DETAILS DESCRIBED HEREIN ARE GENERIC AND MAY NOT REFLECT ACTUAL CONDITIONS FOR A SPECIFIC SITE. IF SITE CONDITIONS CAUSE INSTALLATION TO DEVIATE FROM THE REQUIREMENTS DETAILED HEREIN, A LICENSED ENGINEER OR ARCHITECT SHALL PREPARE SITE SPECIFIC DOCUMENTS FOR USE WITH THIS DOCUMENT.
5. APPROVED IMPACT PROTECTIVE SYSTEM **IS REQUIRED** TO PROTECT THIS PRODUCT IN AREAS REQUIRING IMPACT RESISTANCE.
6. FRAME MATERIAL: ALUMINUM 6063-T6 & MAHOGANY
7. GLASS SHALL MEET THE REQUIREMENTS OF ASTM E1300. SEE GLAZING DETAILS ON SHEET 1.
8. DESIGNATIONS "X", "O" STAND FOR THE FOLLOWING:
X: OPERABLE PANEL
O: FIXED PANEL



GLAZING DETAIL

GLAZING NOTES:

1. GLASS TYPE SHALL COMPLY WITH ASTM E1300 REQUIREMENTS.
2. SETTING BLOCKS TO BE LOCATED AT 1/4 SPAN LENGTH FOR GLASS WIDER THAN 36" AS PER FBC CHAPTER 24.
3. SETTING BLOCK DUROMETER HARDNESS OF 70-90 (SHORE A) AS REFERENCED IN FBC CHAPTER 24.
4. GLASS TYPE SHALL COMPLY WITH APPLICABLE GLAZING REQUIREMENTS PER CHAPTER 24 OF THE FBC

TABLE OF CONTENTS	
SHEET	SHEET DESCRIPTION
1	GENERAL NOTES AND GLAZING DETAILS
2	ELEVATIONS
3	ANCHOR LAYOUTS
4	VERTICAL SECTIONS
5	HORIZONTAL SECTIONS
6	ANCHOR DETAILS, ANCHOR SCHEDULE, & INSTALLATION NOTES

DESIGN PRESSURE TABLE		
CONFIGURATION	DESIGN PRESSURE	MISSILE IMPACT RATING
XXX/XXXX/XXXXX	+50/ -50 PSF	NON-IMPACT RATED

TITLE: TRU VUE FOLDING DOOR
(NON-HVHZ)(NON-IMPACT)

GENERAL NOTES AND GLAZING DETAILS

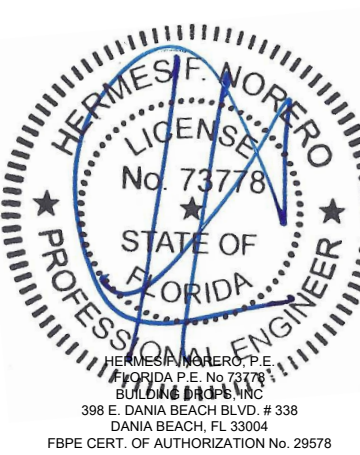
PREPARED BY: BUILDING DROPS, INC.

398 E. DANIA BEACH BLVD., STE. 338
DANIA BEACH, FL 33004
PH: (954)399-8478
FAX: (954)744-4738
WEB: www.buildingdrops.com



REMARKS	BY	DATE

THE INSTALLATION DETAILS DESCRIBED HEREIN ARE GENERIC AND MAY NOT REFLECT ACTUAL CONDITIONS FOR A SPECIFIC SITE. IF SITE CONDITIONS CAUSE INSTALLATION TO DEVIATE FROM THE REQUIREMENTS DETAILED HEREIN, A LICENSED ENGINEER OR ARCHITECT SHALL PREPARE SITE SPECIFIC DOCUMENTS FOR USE WITH THIS DOCUMENT.



FL #: **FL41541**

DATE: **05.09.22**

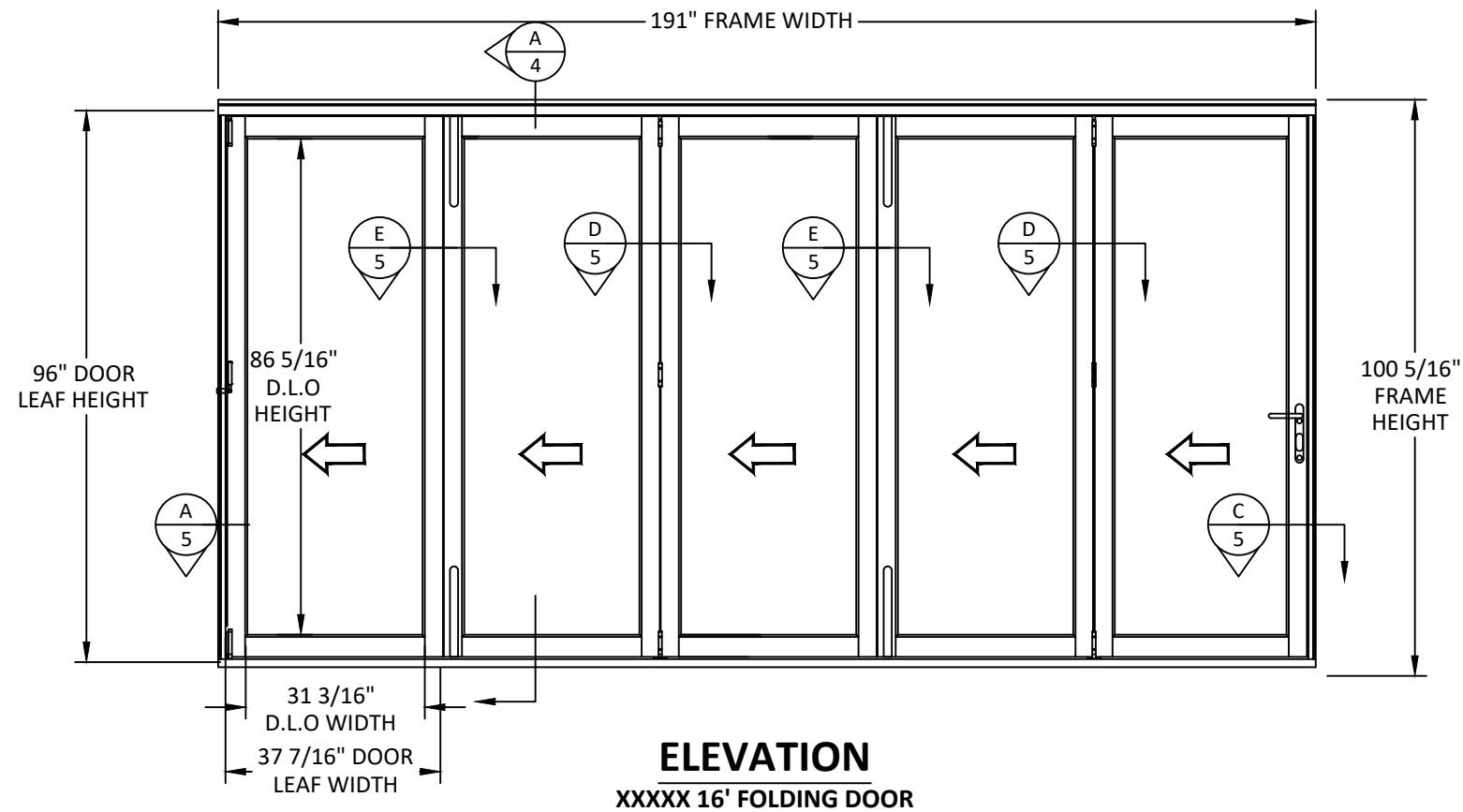
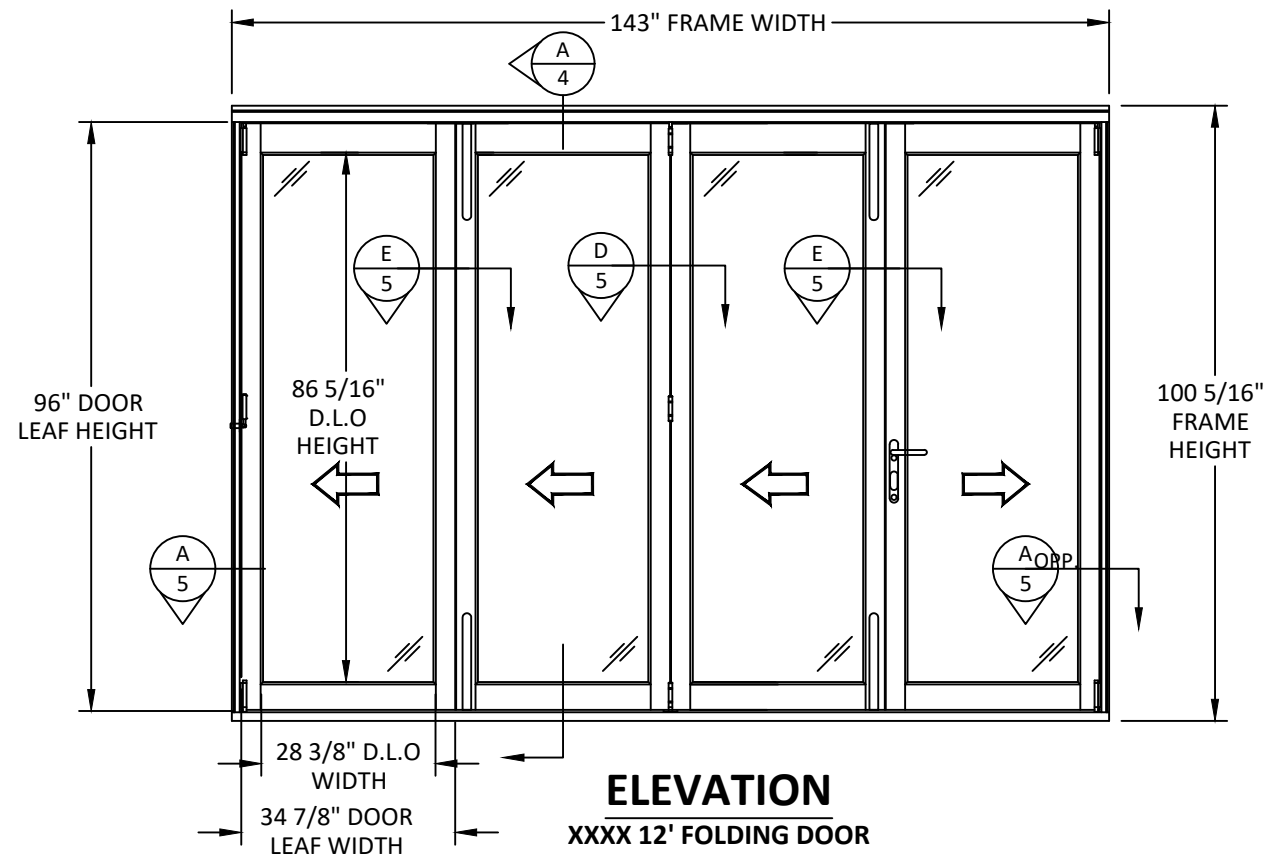
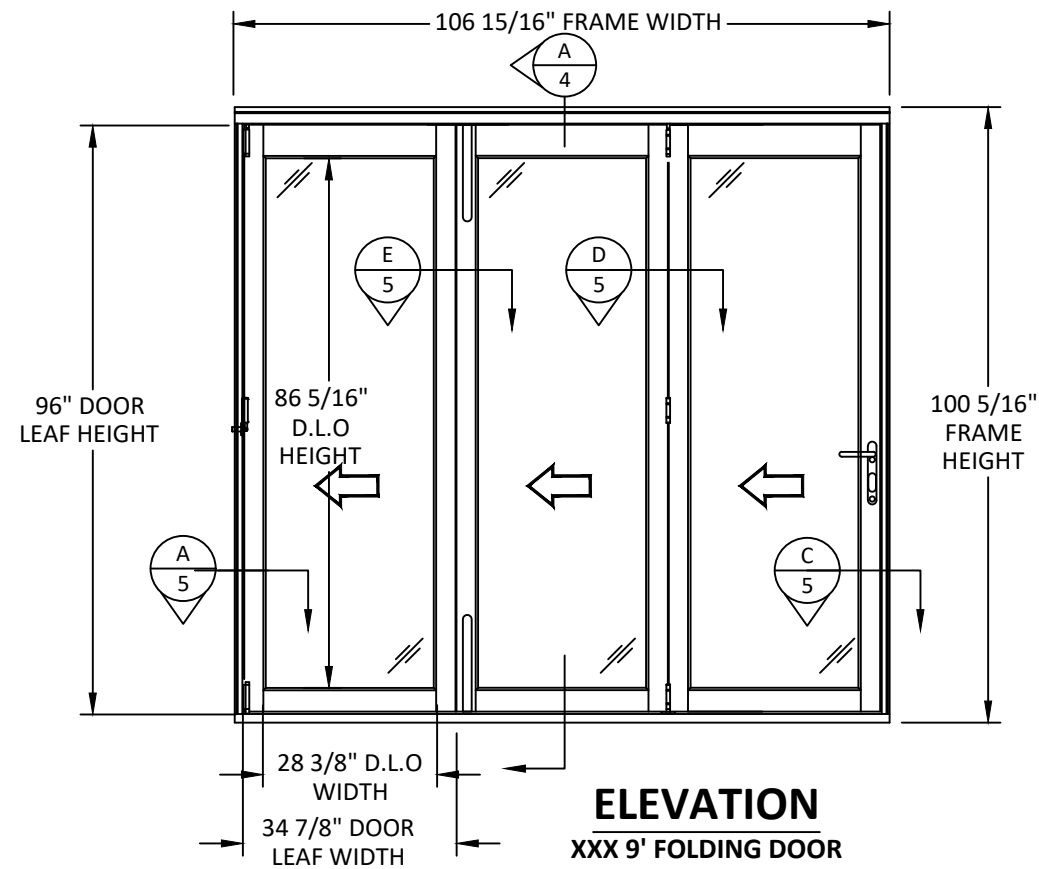
DWG. BY: **LL** CHK. BY: **SM**

SCALE: **NTS**

DWG. #: **DSA001**

SHEET
1
OF 6

6/8/2022 4:54 PM
s:\projects\dsa doors\fbc-22-0239 - fbc submittal - non-impact tru vue folding door.dwg\dsa001_2022-06-08.dwg



THE DOOR STORE OF AMERICA, INC
10681 WORLD TRADE BOULEVARD
RALEIGH, NC 27617
PH: (919) 781-3200

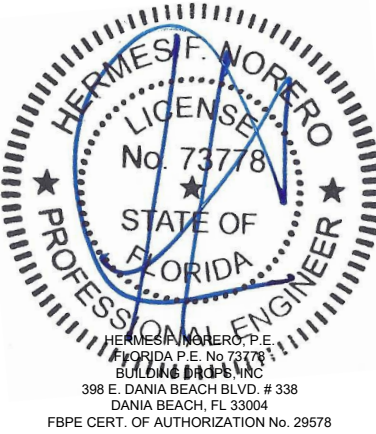
TITLE: TRU VUE FOLDING DOOR
(NON-HVHZ)/(NON-IMPACT)
ELEVATIONS

PREPARED BY:
BUILDING DROPS, INC.
398 E. DANIA BEACH BLVD., STE. 338
DANIA BEACH, FL 33004
PH: (954) 399-8478
FAX: (954) 744-4738
WEB: www.buildingdrops.com



REMARKS	BY	DATE

THE INSTALLATION DETAILS DESCRIBED HEREIN ARE GENERIC AND MAY NOT REFLECT ACTUAL CONDITIONS FOR A SPECIFIC SITE. IF SITE CONDITIONS CAUSE INSTALLATION TO DEVIATE FROM THE REQUIREMENTS DETAILED HEREIN, A LICENSED ENGINEER OR ARCHITECT SHALL PREPARE SITE SPECIFIC DOCUMENTS FOR USE WITH THIS DOCUMENT.



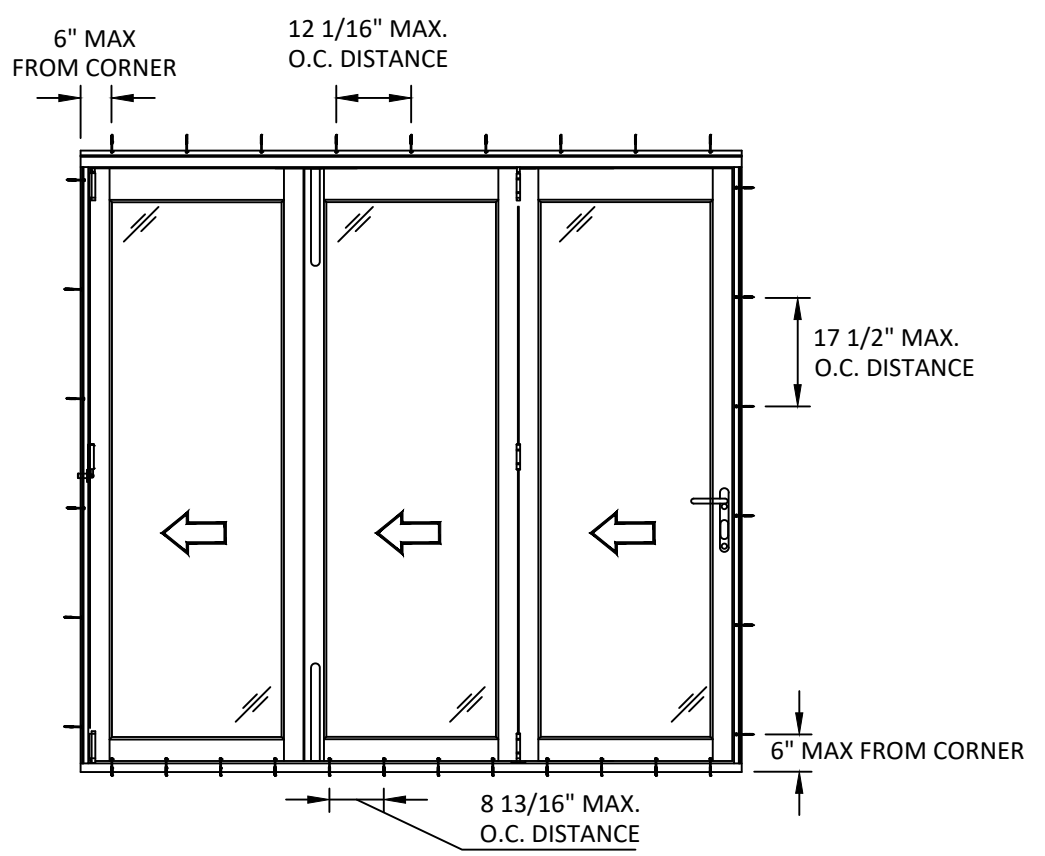
FL #:	FL41541
DATE:	05.09.22
DWG. BY:	LL
CHK. BY:	SM
SCALE:	NTS
DWG. #:	DSA001

SHEET
2
OF 6

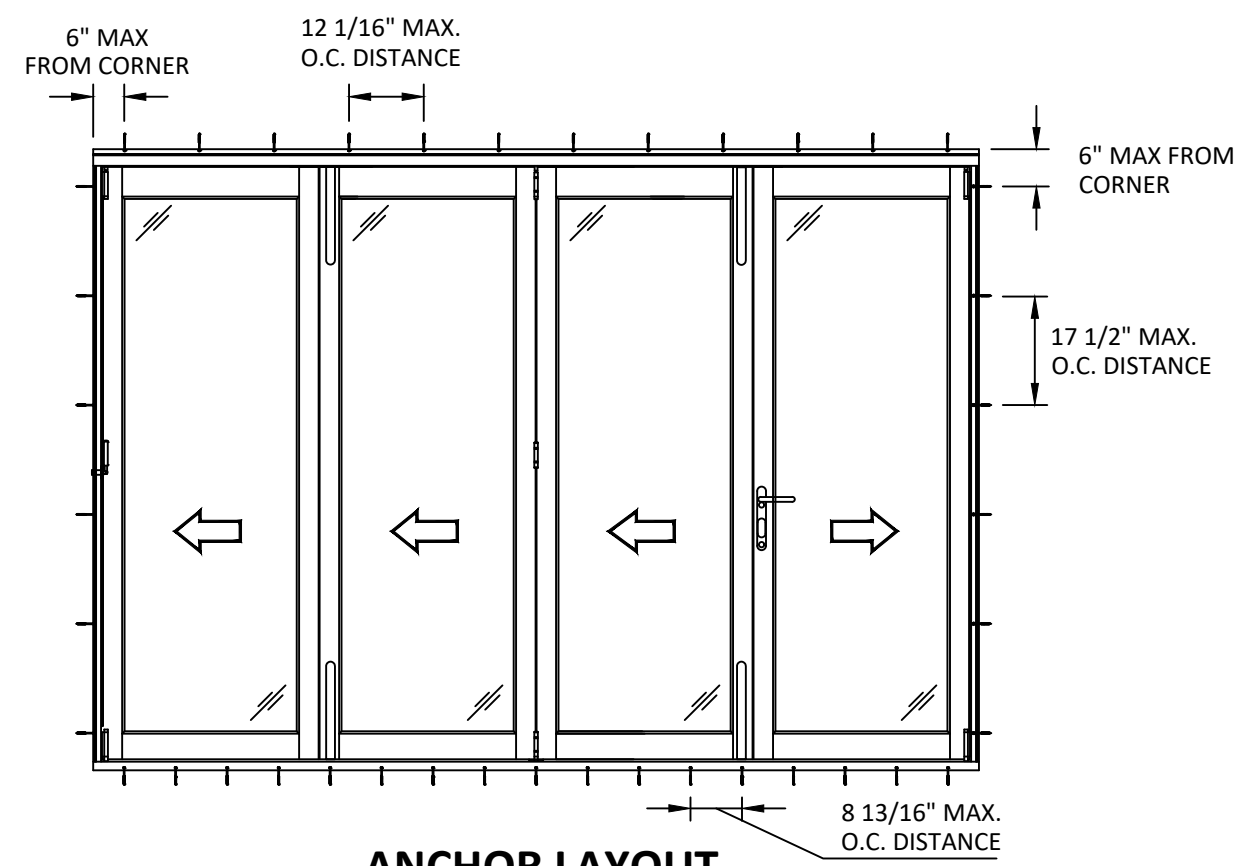
s:\projects\dsa doors\fbc-22-0239 - fbc submittal - non-impact tru vue folding door.dwg 2022-06-08.dwg 6/8/2022 4:54 PM



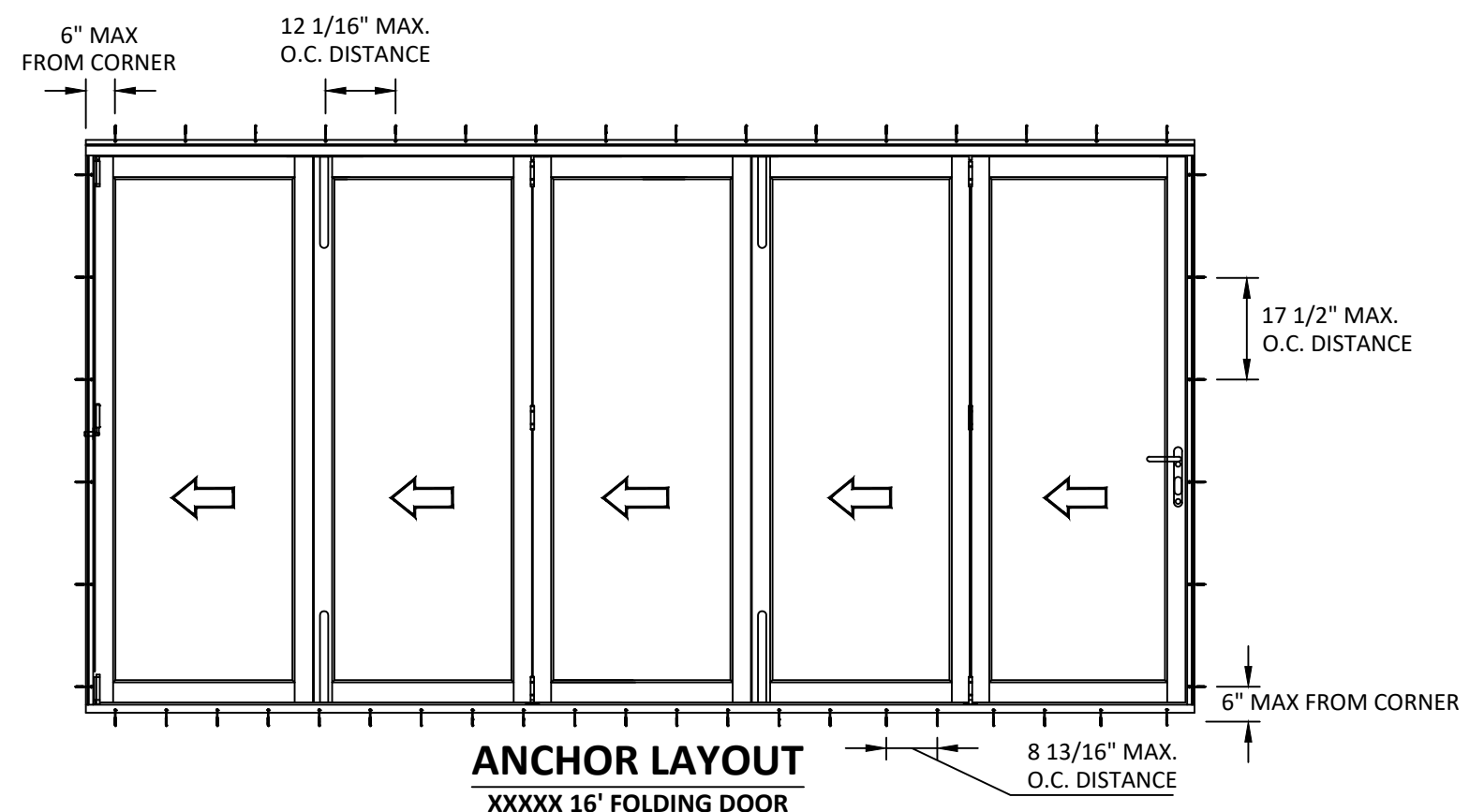
THE DOOR STORE OF AMERICA, INC
10681 WORLD TRADE BOULEVARD
RALEIGH, NC 27617
PH: (919) 781-3200



ANCHOR LAYOUT
XXX 9' FOLDING DOOR
THROUGH FRAME



ANCHOR LAYOUT
XXXX 12' FOLDING DOOR
THROUGH FRAME



ANCHOR LAYOUT
XXXXX 16' FOLDING DOOR
THROUGH FRAME

TITLE: TRU VUE FOLDING DOOR (NON-HVHZ)(NON-IMPACT)
ANCHOR LAYOUTS

PREPARED BY: BUILDING DROPS, INC.
398 E. DANIA BEACH BLVD., STE. 338
DANIA BEACH, FL 33004
PH: (954)399-8478
FAX: (954)744-4738
WEB: www.buildingdrops.com

REMARKS	BY	DATE

THE INSTALLATION DETAILS DESCRIBED HEREIN ARE GENERIC AND MAY NOT REFLECT ACTUAL CONDITIONS FOR A SPECIFIC SITE. IF SITE CONDITIONS CAUSE INSTALLATION TO DEVIATE FROM THE REQUIREMENTS DETAILED HEREIN, A LICENSED ENGINEER OR ARCHITECT SHALL PREPARE SITE SPECIFIC DOCUMENTS FOR USE WITH THIS DOCUMENT.

HERMES F. NORERO, P.E.
FLORIDA P.E. No. 73778
BUILDING DROPS, INC.
398 E. DANIA BEACH BLVD. # 338
DANIA BEACH, FL 33004
FBPE CERT. OF AUTHORIZATION No. 29578

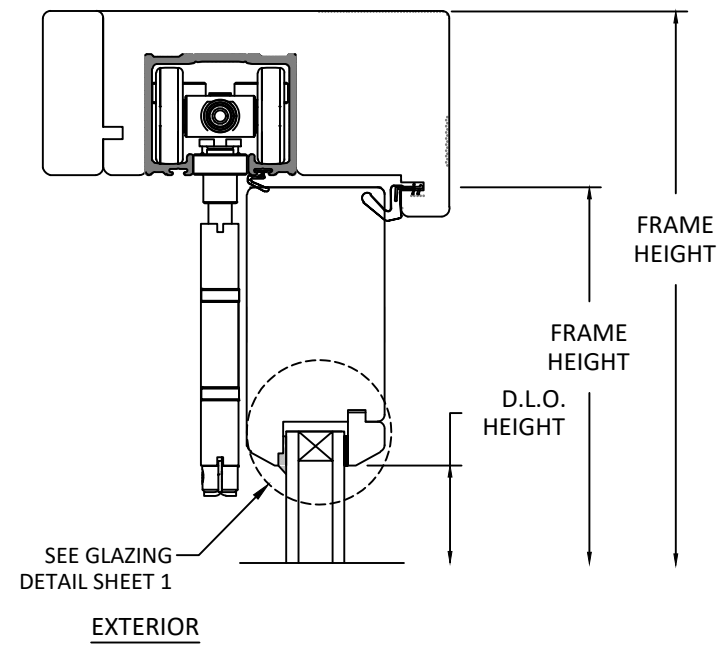
FL #:	FL41541
DATE:	05.09.22
DWG. BY:	LL
CHK. BY:	SM
SCALE:	NTS
DWG. #:	DSA001

SHEET
3
OF 6

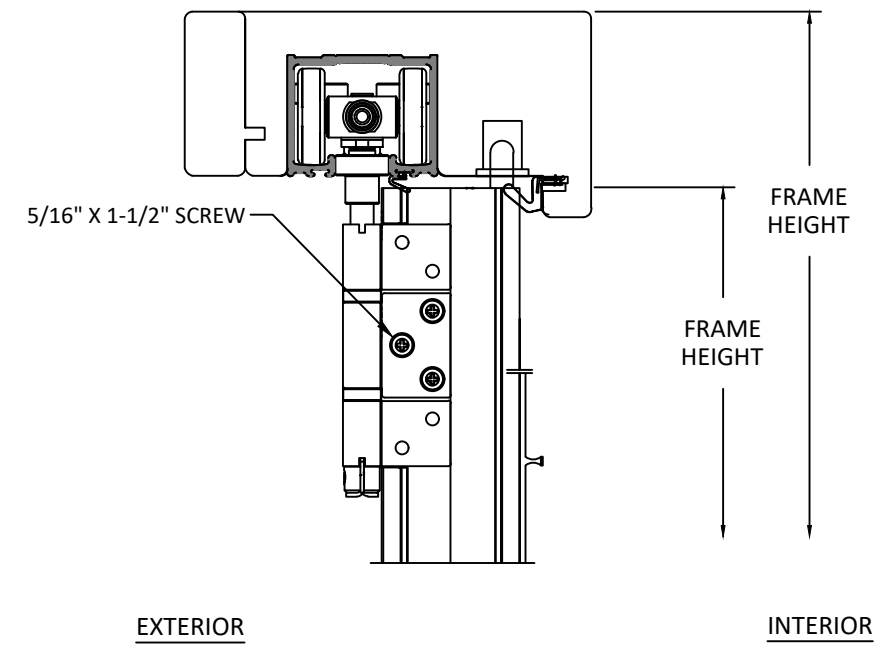
s:\projects\dsa doors\bc-22-0239 - fbc submittal - non-impact tru vue folding door\dwgs\dsa001.2022-06-08.dwg 6/8/2022 4:54 PM



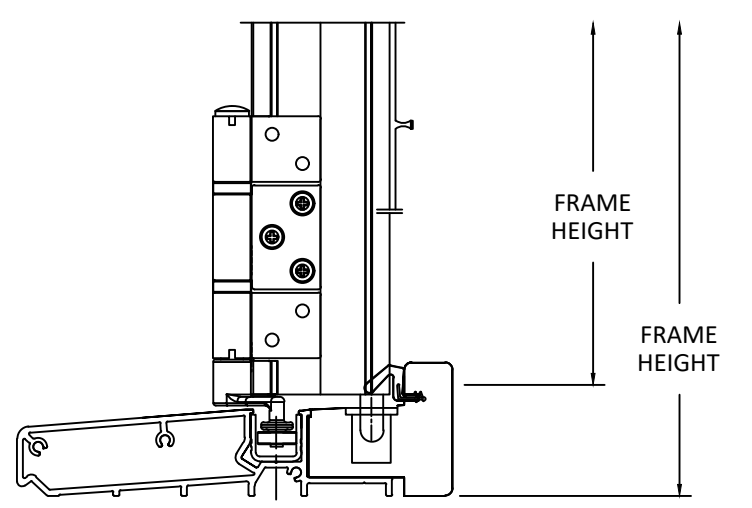
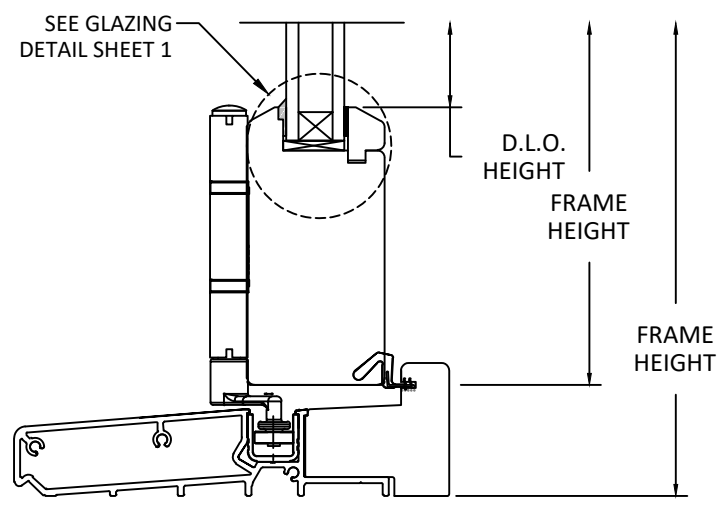
THE DOOR STORE OF AMERICA, INC
10681 WORLD TRADE BOULEVARD
RALEIGH, NC 27617
PH: (919) 781-3200



A
4 VERTICAL SECTION



B
4 VERTICAL SECTION
HINGE DETAIL

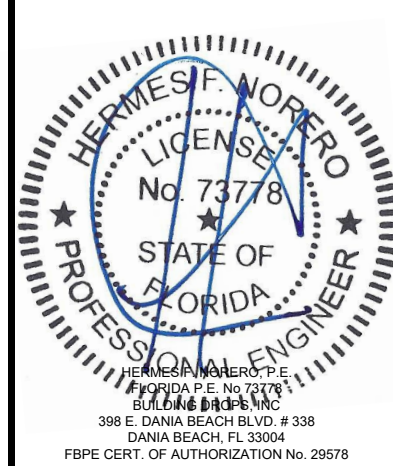


TITLE: TRU VUE FOLDING DOOR
(NON-HVHZ)(NON-IMPACT)
VERTICAL SECTIONS

PREPARED BY:
B.D.
BUILDING DROPS
BUILDING DROPS, INC.
398 E. DANIA BEACH BLVD., STE. 338
DANIA BEACH, FL 33004
PH: (954) 359-8478
FAX: (954) 744-4738
WEB: www.buildingdrops.com

REMARKS	BY	DATE

THE INSTALLATION DETAILS DESCRIBED HEREIN ARE GENERIC AND MAY NOT REFLECT ACTUAL CONDITIONS FOR A SPECIFIC SITE. IF SITE CONDITIONS CAUSE INSTALLATION TO DEVIATE FROM THE REQUIREMENTS DETAILED HEREIN, A LICENSED ENGINEER OR ARCHITECT SHALL PREPARE SITE SPECIFIC DOCUMENTS FOR USE WITH THIS DOCUMENT.



FL #: **FL41541**

DATE: **05.09.22**

DWG. BY: **LL** CHK. BY: **SM**

SCALE: **NTS**

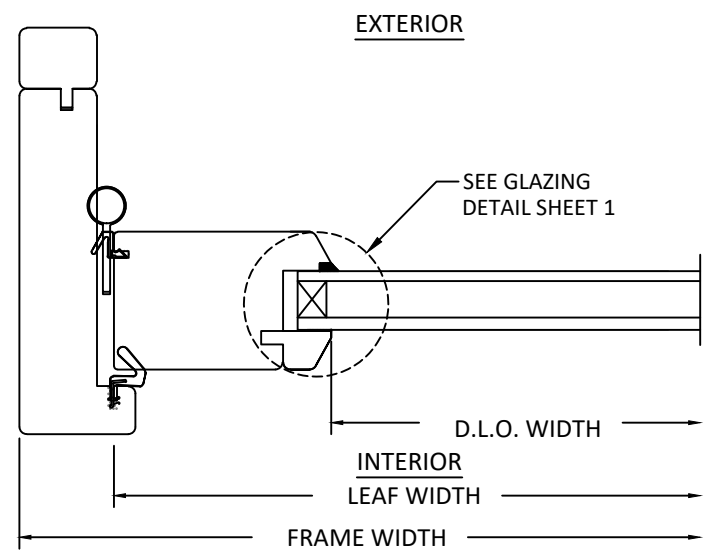
DWG. #: **DSA001**

SHEET
4
OF 6

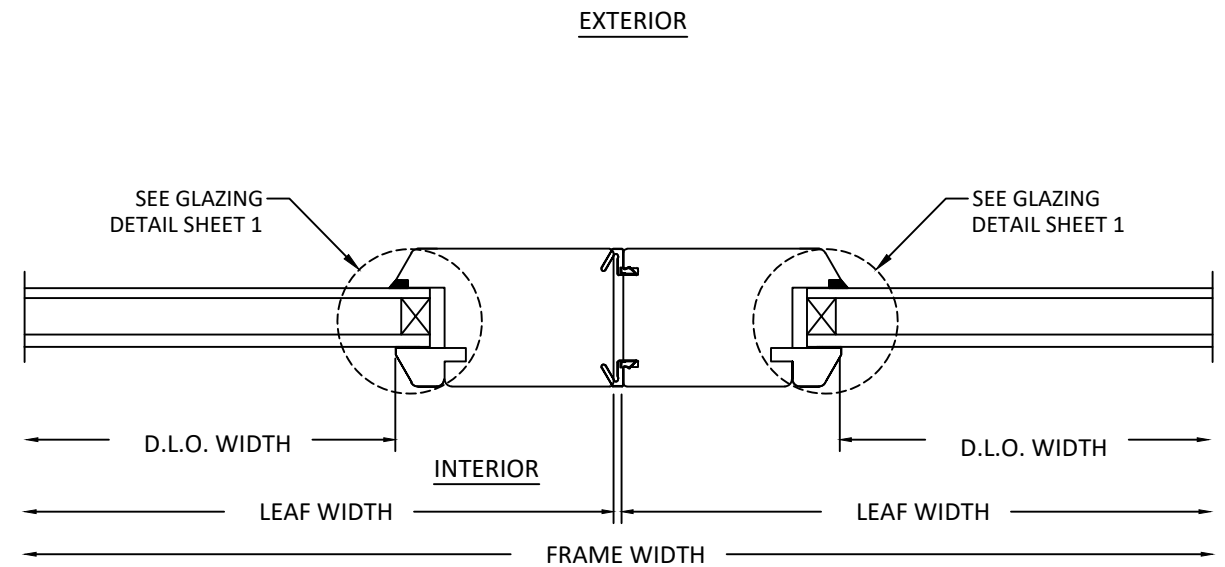
6/8/2022 4:54 PM
s:\projects\dsa doors\bc-22-0239 - fbc submittal - non-impact tru vue folding door\dwgs\dsa001_2022-06-08.dwg



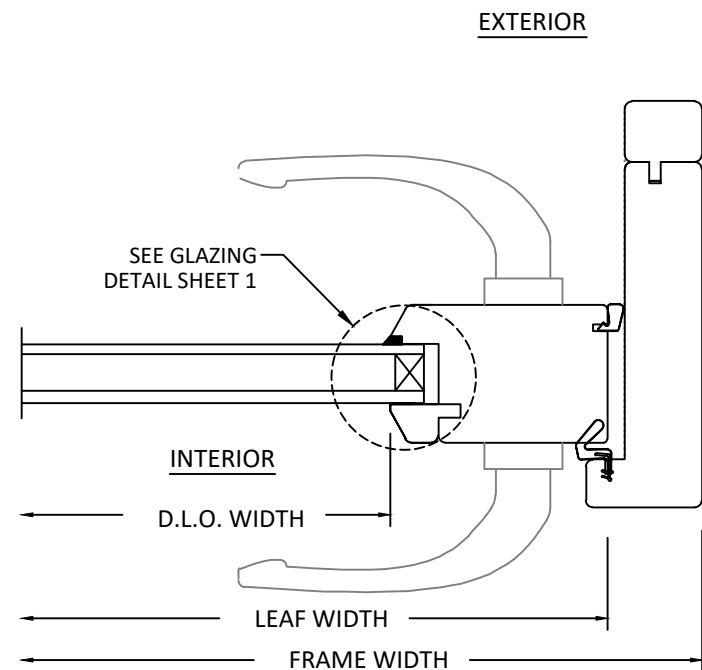
THE DOOR STORE OF AMERICA, INC
10681 WORLD TRADE BOULEVARD
RALEIGH, NC 27617
PH: (919) 781-3200



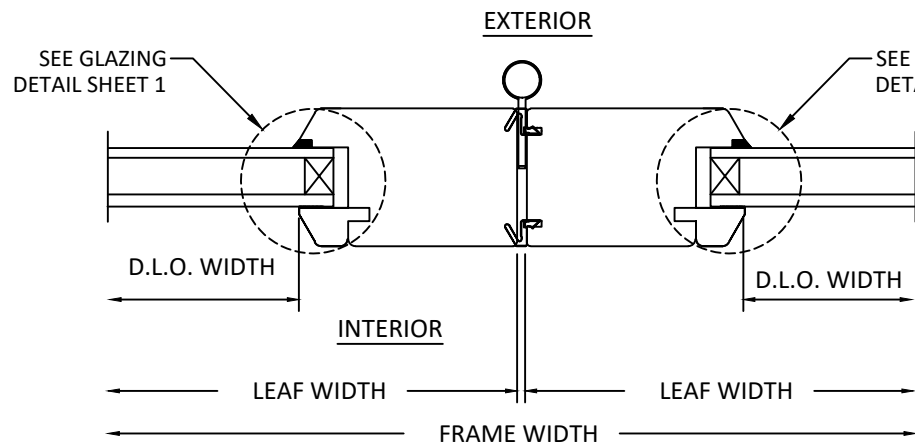
A
5 **HORIZONTAL SECTION**
JAMB WITH PIVOT SET DETAIL



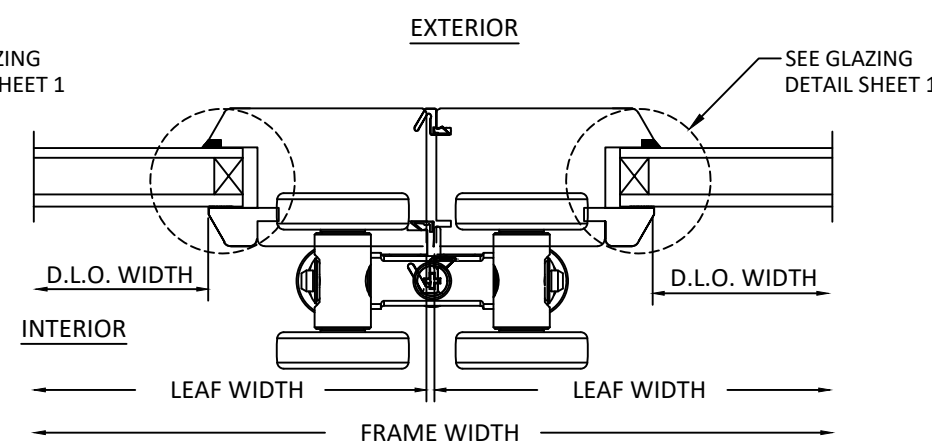
B
5 **HORIZONTAL SECTION**
MEETING STILES



C
5 **HORIZONTAL SECTION**
LOCK JAMB



D
5 **HORIZONTAL SECTION**
MEETING STILES



E
5 **HORIZONTAL SECTION**
STILE WITH INTERMEDIATE CARRIER SET DETAIL

TITLE: TRU VUE FOLDING DOOR
(NON-HVHZ)/(NON-IMPACT)

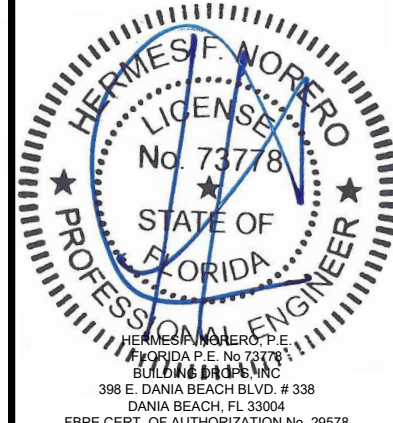
HORIZONTAL SECTIONS

PREPARED BY:
BUILDING DROPS, INC.
398 E. DANIA BEACH BLVD., STE. 338
DANIA BEACH, FL 33004
PH: (954) 359-8478
FAX: (954) 744-4738
WEB: www.buildingdrops.com



REMARKS	BY	DATE

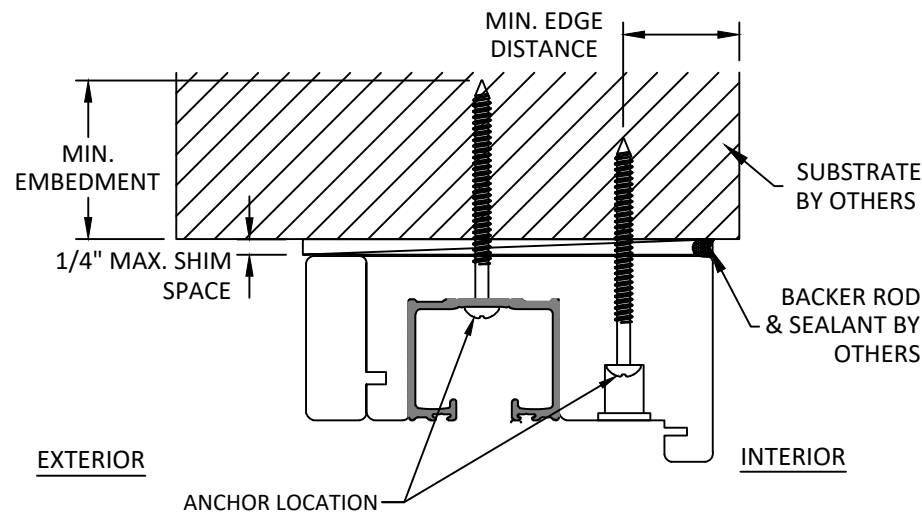
THE INSTALLATION DETAILS DESCRIBED HEREIN ARE GENERIC AND MAY NOT REFLECT ACTUAL CONDITIONS FOR A SPECIFIC SITE. IF SITE CONDITIONS CAUSE INSTALLATION TO DEVIATE FROM THE REQUIREMENTS DETAILED HEREIN, A LICENSED ENGINEER OR ARCHITECT SHALL PREPARE SITE SPECIFIC DOCUMENTS FOR USE WITH THIS DOCUMENT.



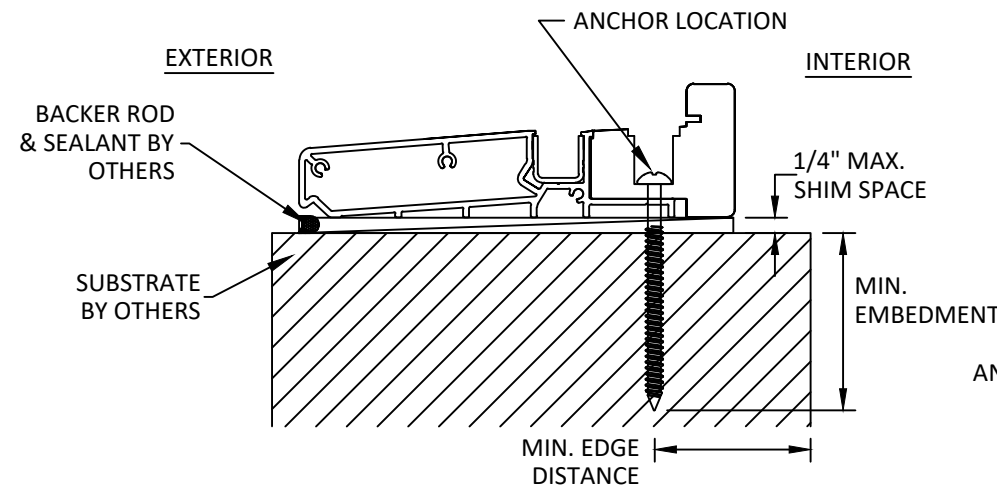
FL #:	FL41541
DATE:	05.09.22
DWG. BY:	LL
CHK. BY:	SM
SCALE:	NTS
DWG. #:	DSA001

SHEET
5
OF 6

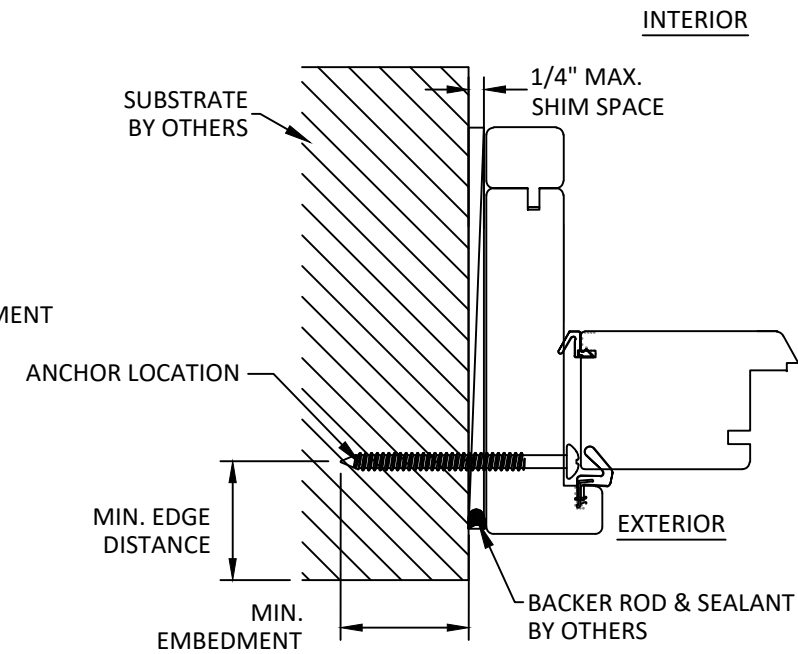
6/8/2022 4:54 PM
s:\projects\dsa doors\bc-22-0239 - fbc submittal - non-impact tru vue folding door\dwgs\dsa001_2022-06-08.dwg



A
6 **ANCHOR DETAIL**
THROUGH FRAME



B
6 **ANCHOR DETAIL**
THROUGH FRAME



C
6 **ANCHOR DETAIL**
THROUGH FRAME

INSTALLATION NOTES:

- ONE (1) INSTALLATION ANCHOR IS REQUIRED AT EACH ANCHOR LOCATION UNLESS OTHERWISE SHOWN.
- FOR MASONRY OR CONCRETE OPENINGS, A 1X WOOD BUCK MAY BE USED (OPTIONAL) AS LONG AS THE MINIMUM EMBEDMENT AND EDGE DISTANCE REQUIREMENTS ARE STILL MET WITHIN THE CORRESPONDING HOST SUBSTRATE. SEE GENERAL NOTE #3 ON SHEET 1 FOR MORE INFORMATION.
- THE NUMBER OF INSTALLATION ANCHORS DEPICTED IS THE MINIMUM NUMBER OF ANCHORS TO BE USED FOR PRODUCT INSTALLATION OF THE MAXIMUM SIZE LISTED.
- INSTALL INDIVIDUAL INSTALLATION ANCHORS WITHIN A TOLERANCE OF ±1/2 INCH THE DEPICTED LOCATION & SPACING IN THE ANCHOR LAYOUT DETAILS (I.E., WITHOUT CONSIDERATION OF TOLERANCES). TOLERANCES ARE NOT CUMULATIVE FROM ONE INSTALLATION ANCHOR TO THE NEXT.
- SHIM AS REQUIRED AT EACH ANCHOR LOCATION WHERE SPACE BETWEEN PRODUCT AND STRUCTURE IS $\frac{1}{16}$ INCH OR GREATER. MAXIMUM ALLOWABLE SHIM STACK IS NOT TO EXCEED 1/4 INCH. ALL SHIMS ARE TO BE LOADED BEARING, HIGH DENSITY PLASTIC OR BETTER.
- MINIMUM EMBEDMENT AND EDGE DISTANCE EXCLUDE WALL FINISHES, INCLUDING BUT NOT LIMITED TO STUCCO, FOAM, BRICK VENEER, AND SIDING.
- INSTALLATION ANCHORS AND ASSOCIATED HARDWARE MUST BE MADE OF CORROSION RESISTANT MATERIAL OR HAVE A CORROSION RESISTANT COATING.
- FOR HOLLOW BLOCK AND GROUT FILLED BLOCK, DO NOT INSTALL INSTALLATION ANCHORS INTO MORTAR JOINTS. EDGE DISTANCE IS MEASURED FROM FREE EDGE OF BLOCK OR EDGE OF MORTAR JOINT INTO FACE SHELL OF BLOCK.
- INSTALLATION ANCHORS SHALL BE INSTALLED IN ACCORDANCE WITH ANCHOR MANUFACTURER'S INSTALLATION INSTRUCTIONS, AND ANCHORS SHALL NOT BE USED IN SUBSTRATES WITH STRENGTHS LESS THAN THE MINIMUM STRENGTH SPECIFIED BY THE ANCHOR MANUFACTURER.

ANCHOR SCHEDULE				
METHOD	SUBSTRATE	ANCHOR	MIN. EMBEDMENT	MIN. EDGE DISTANCE
THROUGH FRAME - HEAD	2X WOOD MIN. S.G.= 0.55	1/4" LAG SCREW	1.38	1.50
THROUGH FRAME - SILL/JAMBS		#10 WOOD SCREW	1.38	1.50
THROUGH FRAME	CONCRETE (MIN F'C = 3,000 PSI) OR CMU (PER ASTM C90)	1/4" TAPCON	1.50	3.00
	METAL STUD (STEEL MIN. 18GA., Fy = 33KSI, OR ALUMINUM MIN 1/8", 6063-T5)	GR. 5 #10 SMS OR SELF DRILLING SCREW	3 THREADS PENETRATION BEYOND METAL WALL	0.50

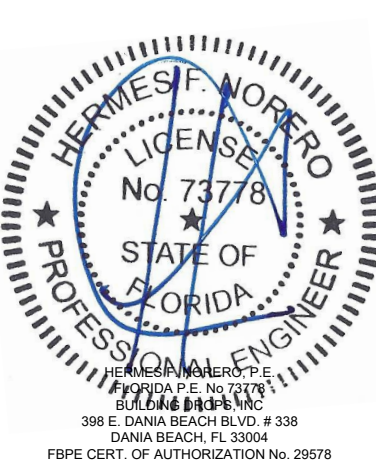


THE DOOR STORE OF AMERICA, INC
10681 WORLD TRADE BOULEVARD
RALEIGH, NC 27617
PH: (919) 781-3200

TITLE: TRU VUE FOLDING DOOR (NON-HVHZ)/(NON-IMPACT)
ANCHOR DETAILS, ANCHOR SCHEDULE, & INSTALLATION NOTES
PREPARED BY: BUILDING DROPS, INC.
398 E. DANIA BEACH BLVD., STE. 338
DANIA BEACH, FL 33004
PH: (954) 399-8478
FAX: (954) 744-4738
WEB: www.buildingdrops.com

REMARKS	BY	DATE

THE INSTALLATION DETAILS DESCRIBED HEREIN ARE GENERIC AND MAY NOT REFLECT ACTUAL CONDITIONS FOR A SPECIFIC SITE. IF SITE CONDITIONS CAUSE INSTALLATION TO DEVIATE FROM THE REQUIREMENTS DETAILED HEREIN, A LICENSED ENGINEER OR ARCHITECT SHALL PREPARE SITE SPECIFIC DOCUMENTS FOR USE WITH THIS DOCUMENT.



FL #: **FL41541**

DATE: **05.09.22**

DWG. BY: **LL** CHK. BY: **SM**

SCALE: **NTS**

DWG. #: **DSA001**

SHEET
6
OF 6